



- Free Topology, Bus Topology and Shield Terminators for Echelon's TP/FT10 wiring in a single package.
- Removable and keyed terminal block for flexible field wiring connections. Terminal block plugs in horizontally or vertically.
- Fully insulated and can be dropped into a wiring junction box.
- All termination resistors and capacitors are rated for up to 100 volts
- Low cost and Compact (shown actual size)

## DESCRIPTION

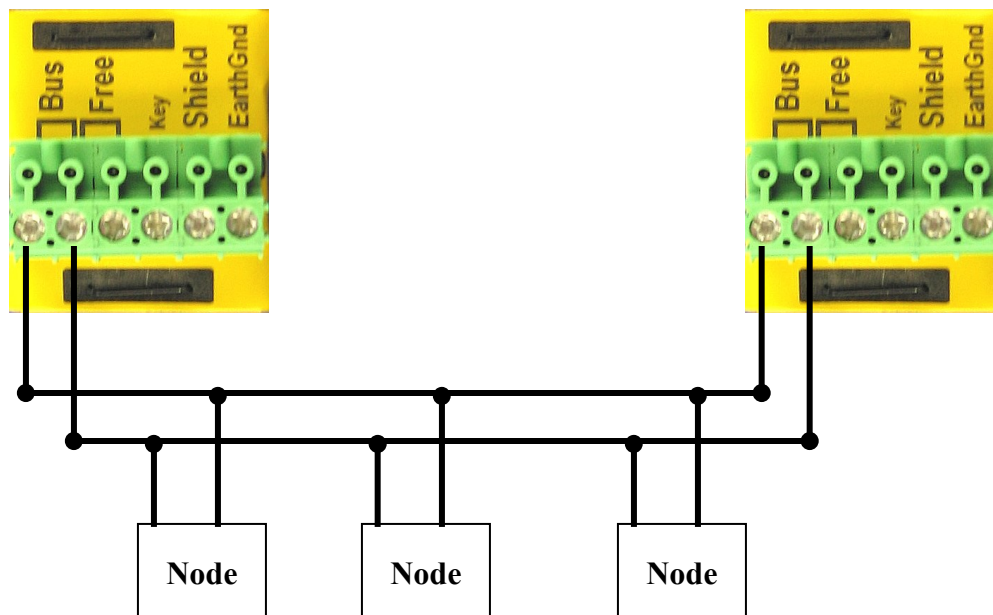
The Model 70 is a Universal Wiring Terminator for Echelon's FTT-10 LonWorks transceiver based networks. FTT-10 wiring networks can be wired in a Bus or Free Topology. Each topology requires different types of terminators for proper operation. Bus Topology wiring requires two Bus Terminators. Free Topology wiring requires a single Free Topology

Terminator per cable segment. Shielded cables require an additional Shield Terminator to earth ground. The Model 70 has the three types of terminators in a single package. This allows installers to keep a single product on hand and apply it as needed to match the wiring topology a particular network requires.

### Terminating a Bus Topology Wiring Segment

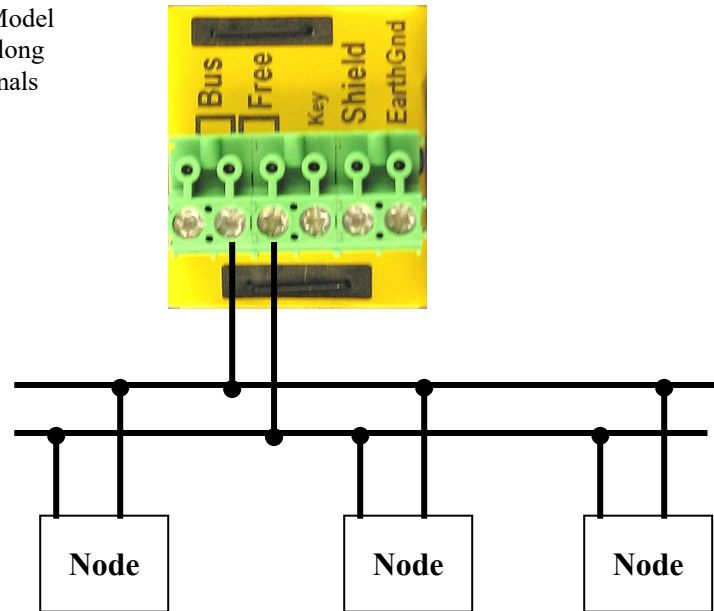
Bus Topology wiring is defined as a wiring bus segment with taps of no more than 10 feet. Note, in-out wiring between nodes is a Bus Topology. For a Bus Topology

wiring segment use two Model 70 Terminators, one at each end of the cable segment. Attach wires to the two terminals labeled "Bus" on the Model 70.



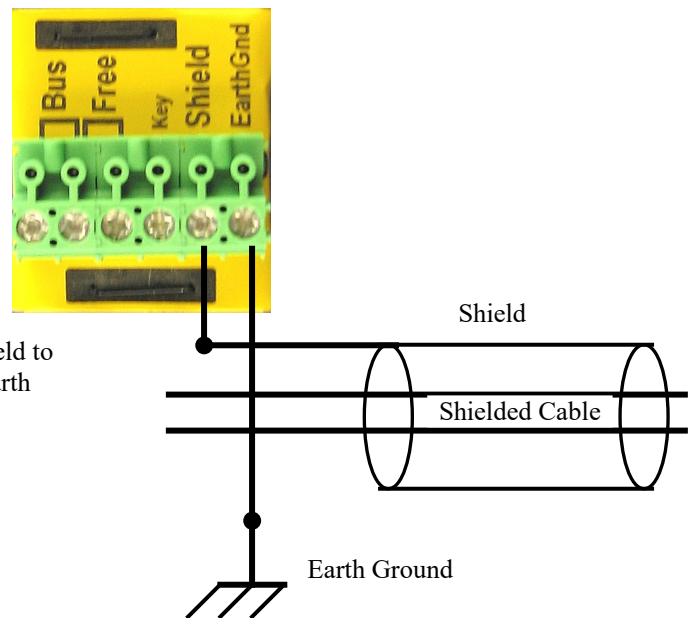
**Terminating a Free Topology Wiring Segment**

For Free Topology wiring segment use a single Model 70 Terminator. Attach the Model 70 anywhere along the cable segment. Attach wires to the two terminals labeled “Free” on the Model 70.



**Terminating The Shield on A Shielded Wiring Segment**

When using a shielded cable, Echelon recommends connection of the shield to an earth ground point via a Shield Terminator. The Model 70 has a Shield Terminator that is independent of the Free and Bus Terminators. The Shield Terminator on the Model 70 can be used alone or with either the Free Terminator or Bus Terminator. Echelon recommends terminating the shield at least once per wiring segment. A shield termination is recommended at each node for noisy environments to suppress 50/60 Hz standing waves. Connect the cable’s shield to the terminal block position labeled “Shield” and earth ground to the terminal block position labeled “EarthGnd”.



## SPECIFICATION

### General

Operating Temperature	-40 – 85° C
Operating Humidity	0-95% Relative Humidity non-condensing
Component Voltage Rating	100 Volts
Network Communication Terminator	Different positions on wiring terminal block allow for either Bus or Free topology termination
Shield Terminator	Independent Shield Terminator independent of Network Communication Terminator
Network Transceiver Type	Echelon FTT-10A transceiver at 78 kbps. .
Power	None required. Termination network is a passive device made up of resistors and capacitors.
Packaging	Electronic components and circuit board is environmentally sealed and wrapped in an insulating material
Dimensions	1.35” W x 1.6” H x 0.6 thick.
Wiring Connection	Removable terminal block on a 5.0 mm pitch. Accepts stranded or solid wires between 26 and 14 AWG. Terminal block can be plugged vertically or horizontally.

## ORDERING INFORMATION

0070-0	Model 70 Universal FTT-10 Wiring Terminator
--------	---

Echelon, LON, LONWORKS, Neuron, 3120, 3150, and LONMARK are trademarks of Echelon Corporation.

